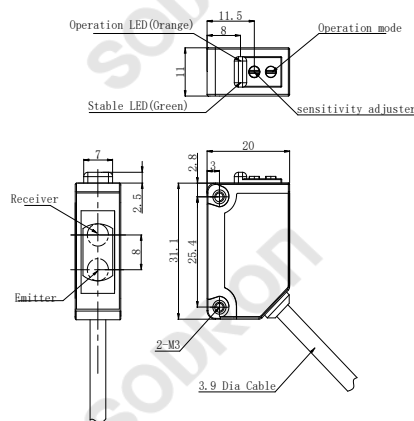




Dimensions



Model	Technical parameters	
	Detection method	Diffuse Reflective Type
PF31V-D10BNSR PF31V-D10BPSR	Model	NPN PF31V-D10BNSR PNP PF31V-D10BPSR
	Sensing distance	10cm(Adjustable Distance)
Product features	Standard target	100*100 Reflectivity 90% White Cardboard
	Output mode	Light ON/Dark ON adjustable
<ul style="list-style-type: none"> Diffuse Reflective Type, Red LED622nm Adopts ASIC, featuring fast response and high frequency IEC IP67 	Light source	Red LED 622nm
	Supply power	DC 12 ~ 24V \pm 10% impulse(P-P) < 10% (DC10-30V)
	Residual voltage	2V max(Load current \leq 100mA)
	Current consumption	< 20mA
	Load current	\leq 100mA
	Circuit protection	Reverse connection protection, Short circuit protection
	Response time	<1ms
	Indicator light	Output: OrangeLED Stable: Green LED
	Connection	Cable 2m
	Ambient temperature	Work: -25 ~ +55°C; Store: -30 ~ +70°C, (No dew condensation or icing allowed)
Ambient humidity	Work: 35 ~ 85%RH, Store: 35 ~ 95%RH, (No dew condensation)	
Ambient illumination	Sunlight: 10,000Lx Lamplight:3,000Lx	
Withstand Voltage	1000VAC, 50/60Hz,1min, between current-carrying parts and case	
Insulation resistance	> 20M Ω (DC500V megger) between current-carrying parts and case	
Anti-vibration	10~55Hz double-amplitude 1.5mmX,Y,Z 2h	
Impact resistance	500m/s ² X,Y,Z, directions for 3 times	
Protection degree	IEC IP67	
Material	Housing	PBT
	Lens	PMMA

Connection

